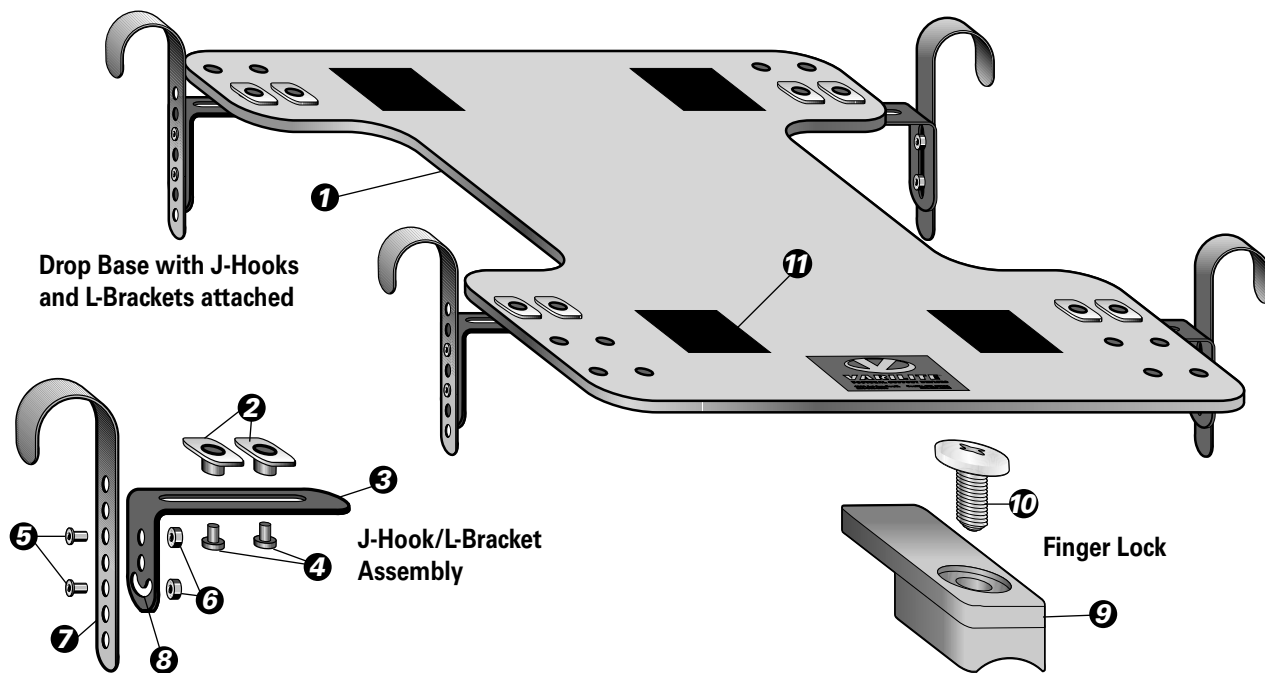




# VARILITE<sup>®</sup> Drop Base System

**Installation Instructions** for Dealers and Seating Specialists



## 1. Chair Preparation

Remove existing seating components.

## 2. L-Bracket Attachment

Position Drop Base (1) over the seat frame to determine correct position of attachment. Insert the supplied T-nuts (2) from top of the base in holes corresponding to mounting position on the seat rails. T-nuts will fit snug. If necessary, tap them flush using a soft mallet. Attach L-brackets (3) with the supplied washers (not pictured) and 1/4-20 bolts (4), leaving the bolts loose for the final adjustment.

## 3. J-Hook Attachment

Determine the desired seat angle and amount of drop below seat rail. Using the supplied 10-32 bolts (5) and self-locking nuts (6), attach the J-hooks (7) to the L-brackets. Use the curved slots on the L-brackets (3) for applications that require an increased seat angle. Again, leave the bolts loose until final adjustment.

## 4. Final Adjustment

Place the assembled Drop Base onto seat rails to check for proper placement. Tighten all fasteners.

## 5. Finger Locks

Place the Finger Locks (9) on the seat rails, marking the locations where mounting holes will be drilled with 1/8 inch drill bit. After drilling the holes, use the 1/2 inch self-tapping screws (10) to secure each finger lock to the seat rails. Placement of the Finger Locks will determine whether the Drop Base is fixed or removable. Ensure that the Finger Locks are attached in a position that will prevent the base from sliding forward on the seat rails.

## 6. Hook and Loop

If you are using a VARILITE seat cushion, attach the included adhesive Hook (11) fastener in a position that will mate with the Loop fastener sewn to the bottom of the VARILITE cushion cover.

For questions and further information, please call our Customer Service Department at (206) 505-9500, or toll free at (800) 827-4548, Monday through Friday from 7:00 AM to 4:30 PM Pacific Standard Time. Updated brochures, instructions and product information can be found online at [www.varilite.com](http://www.varilite.com).