

JUNIOR

Seating System



Key Features



Sized For Children

VARILITE[®] JUNIOR products are designed and sized with children in mind



Lightweight

VARILITE JUNIOR products combine lightweight positioning materials for kids on the move



Designed For Growth

VARILITE JUNIOR products allow for growth with simple-to-adjust hardware and easy-to-fit soft goods



Low Maintenance for Busy Parents

VARILITE JUNIOR products are simple to use to keep up with busy families



The Story

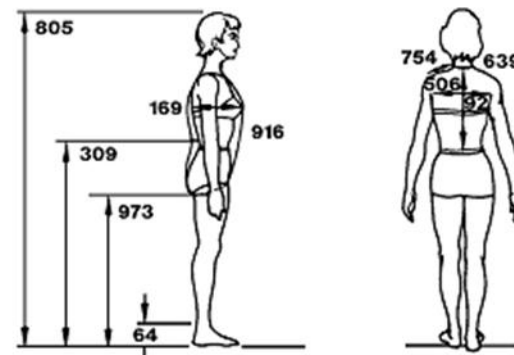
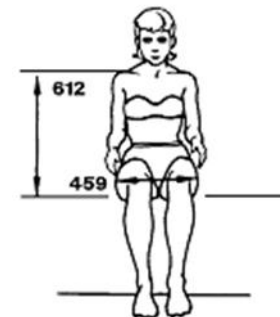
Developed specifically with input from multiple key interest groups such as:

- Clinicians specializing in pediatric seating
- ATPs specializing in pediatric seating
- Market-specific distributor input
- Anthropometric studies



What is Anthropometric Data?

- Anthropometry- measurement of size and proportion of the human individual
- Statistical data about the distribution of body dimensions in the population is used to optimize products
- Frequently used in:
 - Industrial design
 - Clothing design
 - Ergonomics



Benefits of Early Mobility Intervention

Early mobility intervention benefits children with motor delays by:

- Reduces learned helplessness
- Visual development
- Spatial awareness
- Attention, cognition and problem-solving
- Social development
- Attain age-appropriate skills



***VARILITE* JUNIOR Cushion**



***VARILITE* JUNIOR Cushion**

Features

- Sized for children at 2.9 in. high
- Multi-stiffness foam designed for children
- Lightweight at only 9.2 oz.

Benefits

- Lower height allows proper position for access to push
- Easy immersion, stability and positioning
- Won't add weight to the WC; easier to propel



***VARILITE* JUNIOR Cushion**

Features

- Water-resistant, washable cover with waterproof inner cushion
- Self-inflating valve
- Designed for growth

Benefits

- Easy to clean
- Easy to adjust and located in the rear, away from busy fingers
- Rear of cushion can be placed under back support



***VARILITE* JUNIOR Cushion**

- Size available: 10 x10 in.
- Height: 2.9 in.
- Weight: 9.2 oz.
- Weight capacity: 200 lbs.
- Utilizes two stiffnesses of foam



JUNIOR Back Support



JUNIOR Back Support

Features

- Sized for children
- Compact, minimal design
- Lightweight materials construction

Benefits

- Dimensions of back support promote proper posture
- Directs focus to the child, not the equipment
- Easier for children to propel the wheelchair



JUNIOR Back Support

Features

- Simple operation
- Simple adjustments
- Water-resistant, washable covers and waterproof inner cushion

Benefits

- Easy to use hardware
- Easy to fit and grows with the child
- Easy to clean

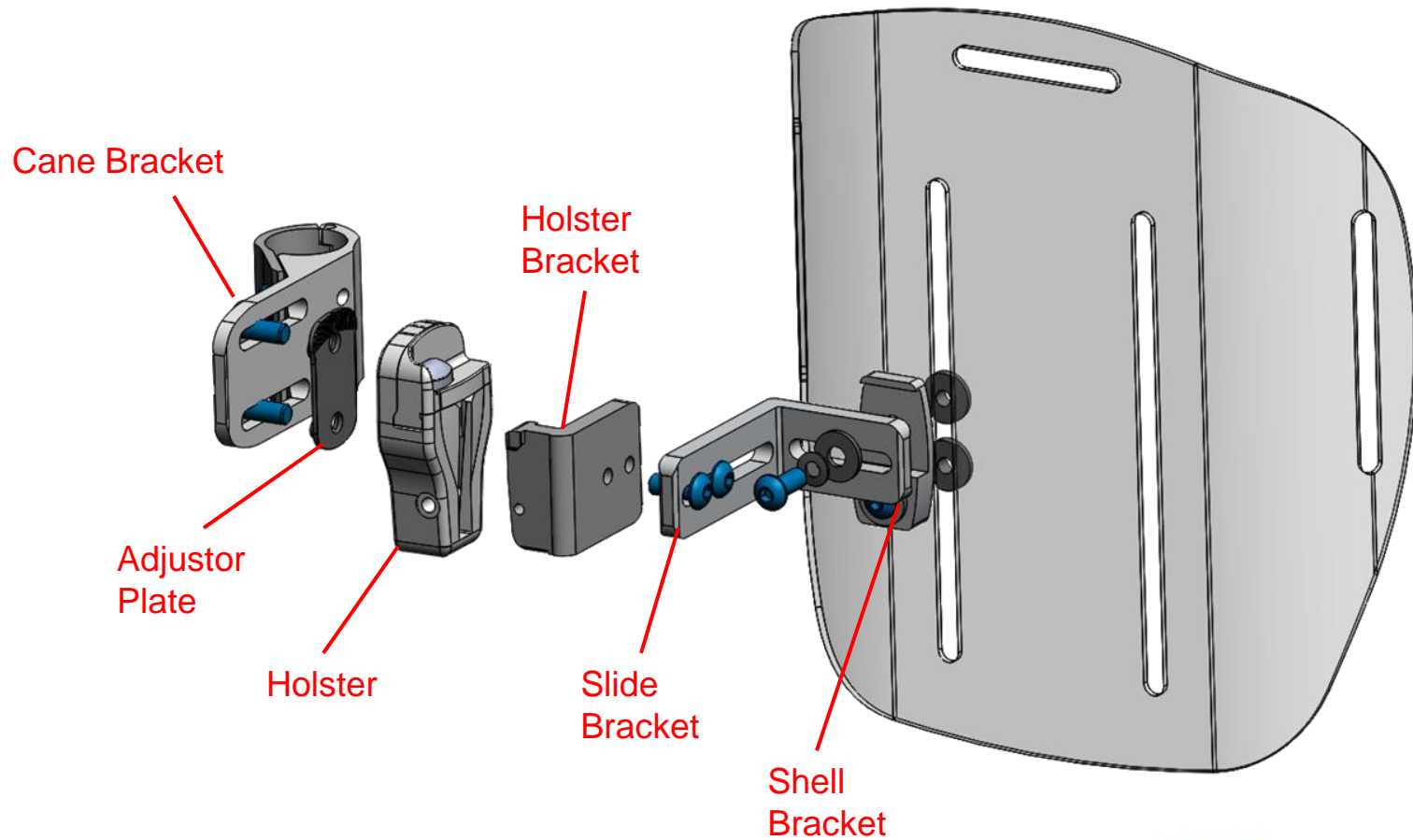


JUNIOR Back Support

The JUNIOR Back Support Mid contains slots for easy mounting of lateral thoracic supports and secondary supports



JUNIOR Back Support Hardware



JUNIOR Back Support Hardware



- Smaller Shell Brackets
- Smaller Slide Brackets
- New Holster Brackets
- Shorter Cane Brackets

Crash Testing

- The JUNIOR Back Supports have not been crash tested.
- Current industry standards for wheelchair seating systems do not apply to products designed for small children.
- People who use wheelchairs should transfer to the vehicle seat and use the vehicle-installed occupant restraint system when feasible.



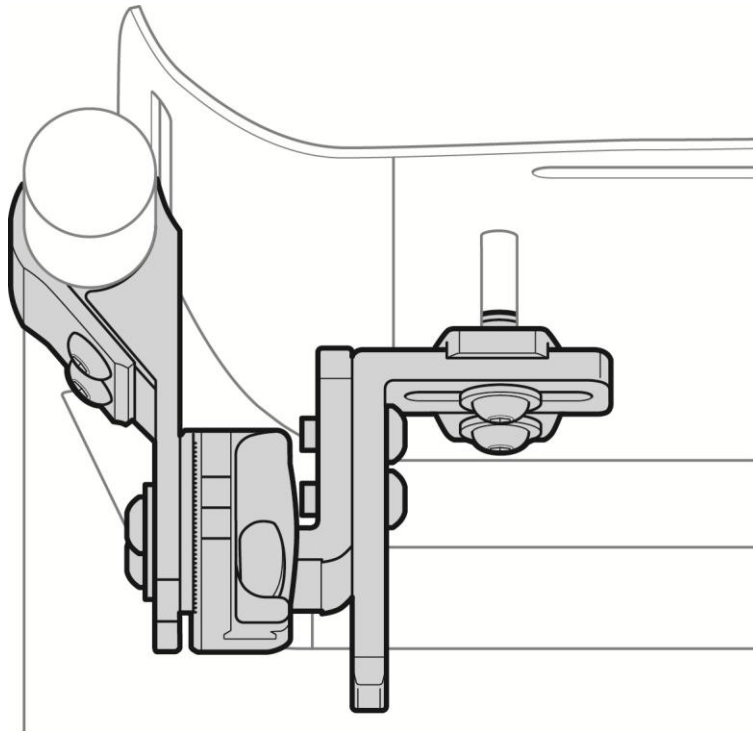
JUNIOR Back Hardware

JUNIOR Back Support hardware installation is similar to that of the Icon™ Back System.

Adjustments are also the same with additional depth adjustment available on the Holster Bracket.



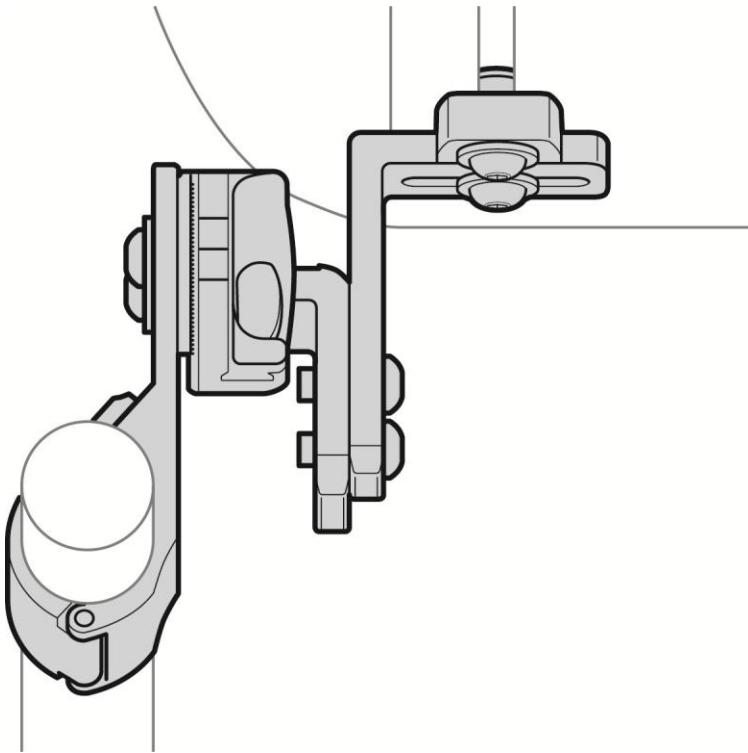
Mounting Configurations



Space Saver

- Cane Bracket
 - Posterior
- Holster Bracket
 - Anterior
- Trunk Support Depth Range
 - From -1.0 in. up to 1.25 in.

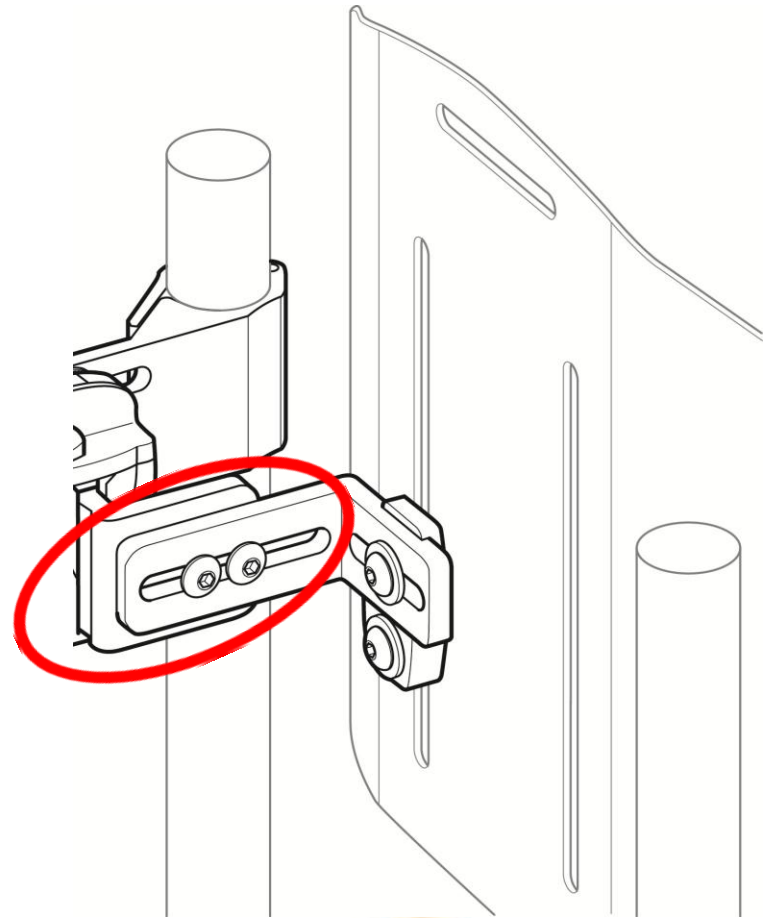
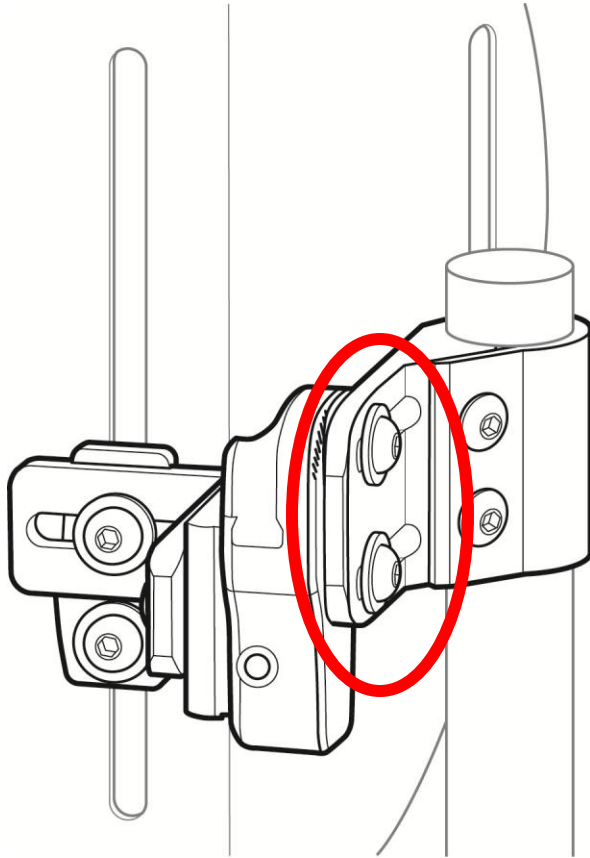
Mounting Configurations



- Cane Bracket
 - Anterior
- Holster Bracket
 - Posterior
- Trunk Support Depth Range
 - From +1.9 in. up to +4.19 in.

Growth

Depth and Angle Adjustment



JUNIOR Back Support

	Mid Back 10 in.	Deep Back 10 in.
Back Height	9.25 in.	9.25 in.
Outside width of shell	8.6 in.	9.9 in.
Inside width of support surface	7.6 in.	8.9 in.
Fits wheelchair sizes	9-11 in.	9-11 in.
Weight, including hardware	2.4 lbs.	2.9 lbs.
Contour depth	1 in.*	3.4 in.
Weight capacity	100 lbs.	100 lbs.

* Measured without PSIS block



JUNIOR Secondary Supports

JUNIOR Contoured Chest Harness

Part # 87115 Side squeeze, shoulder cam, front pull Size extra small

JUNIOR Hip Belts

Part # 83012	2-point, side squeeze, single pull, metal buckle	Size extra small, front pull
Part # 85012	2-point, side squeeze, single pull, plastic buckle	Size extra small, front pull
Part # 83016	2-point side squeeze, metal buckle	Size extra small, rear pull
Part # 85016	2-point side squeeze, plastic buckle	Size extra small, rear pull
Part # 85014	4-point side squeeze, metal buckle	Size extra small, single front pull

JUNIOR Band-it Ankle Supports

Part # 89003 Side squeeze Size extra small, 4-6 inch circumference

