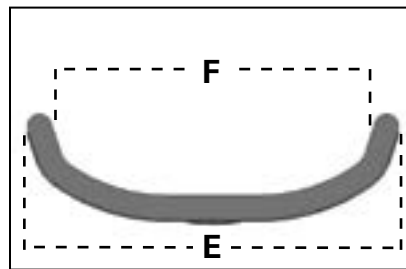
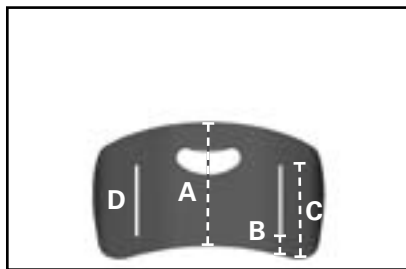


ICON™
BACK SYSTEM
WITH VARILOCK™ HARDWARE

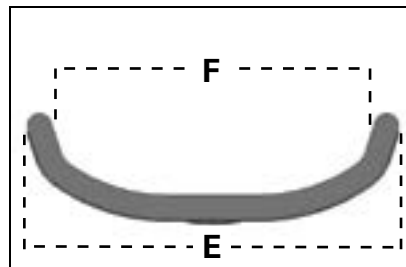
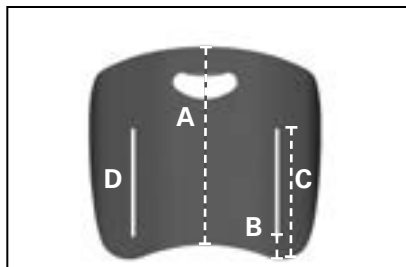


ICON Back System Low



Size (cm)	30	35	38	40	43	45	50	55	60
A. Back Height (cm) ¹	Not Available	18	20	21	22	23	24	Not Available	Not Available
B. Bottom of back to beginning of vertical slot (cm)	Not Available	4	4	4	4	4	4	Not Available	Not Available
C. Bottom of back to top of vertical slot (cm)	Not Available	14	14	14	14	15	15	Not Available	Not Available
D. Range of Icon hardware adjustment in vertical slot (cm)	Not Available	1	1	1	1	2	2	Not Available	Not Available
E. Outside width of shell (cm)	Not Available	29	31	34	37	39	44	Not Available	Not Available
F. Width of support surface (cm)	Not Available	27	29	32	35	37	42	Not Available	Not Available
Fits wheelchair widths (cm)	Not Available	33-38	35-40	38-43	40-45	43-48	48-53	Not Available	Not Available

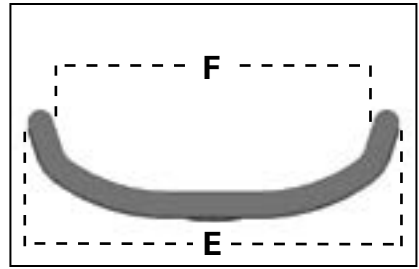
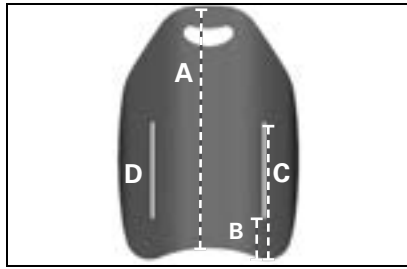
ICON Back System Mid



Size (cm)	30	35	38	40	43	45	50	55	60
A. Back Height (cm) ¹	25	28	31	32	34	36	40	40	40
B. Bottom of back to beginning of vertical slot (cm)	3	4	4	4	4	4	4	4	4
C. Bottom of back to top of vertical slot (cm)	13	17	18	19	20	22	22	22	22
D. Range of Icon hardware adjustment in vertical slot (cm)	1	4	5	6	8	9	9	9	9
E. Outside width of shell (cm)	24	29	31	34	37	39	44	49	54
F. Width of support surface (cm)	22	27	29	32	35	37	42	47	52
Fits wheelchair widths (cm)	30-33	33-38	35-40	38-43	40-45	43-48	48-53	53-58	58-63

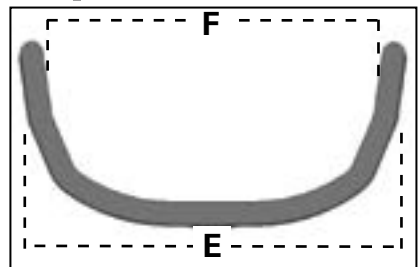
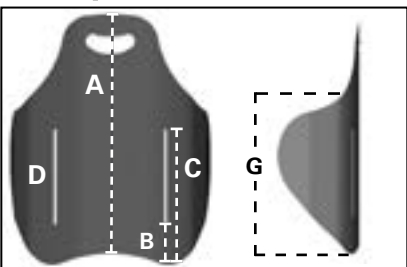
1. Shell only. Complete back system height may vary by 2-4 cm due to the cushion rollover.

ICON Back System Tall



Size (cm)	30	35	38	40	43	45	50	55	60
A. Back Height (cm) ¹	37	43	46	49	52	55	60	Not Available	Not Available
B. Bottom of back to beginning of vertical slot (cm)	5	6	6	8	8	9	9	Not Available	Not Available
C. Bottom of back to top of vertical slot (cm)	23	24	27	28	28	29	29	Not Available	Not Available
D. Range of Icon hardware adjustment in vertical slot (cm)	9	9	11	11	11	11	11	Not Available	Not Available
E. Outside width of shell (cm)	24	29	31	34	37	39	44	Not Available	Not Available
F. Width of support surface (cm)	22	29	31	34	37	39	44	Not Available	Not Available
Fits wheelchair widths (cm)	30-33	33-38	35-40	38-43	40-45	43-48	48-53	Not Available	Not Available

ICON Back System Deep²



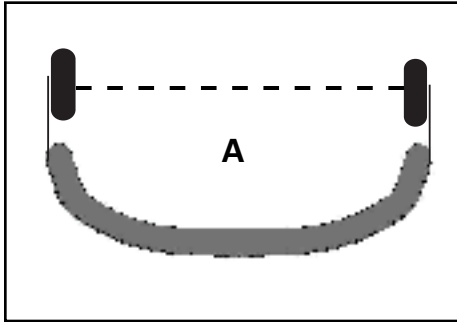
Size (cm)	30	35	38	40	43	45	50	55	60
A. Back Height (cm) ¹	Not Available	43	46	49	52	55	60	Not Available	Not Available
B. Bottom of back to beginning of vertical slot (cm)	Not Available	6	6	8	8	9	9	Not Available	Not Available
C. Bottom of back to top of vertical slot (cm)	Not Available	24	27	28	28	29	29	Not Available	Not Available
D. Range of Icon hardware adjustment in vertical slot (cm)	Not Available	9	11	11	11	11	11	Not Available	Not Available
E. Outside width of shell (cm)	Not Available	32	36	39	41	44	50	Not Available	Not Available
F. Width of support surface (cm)	Not Available	30	34	37	39	42	48	Not Available	Not Available
G. Height of fixed lateral support (cm)	Not Available	29	32	35	36	38	41	Not Available	Not Available

2. Fits the same wheelchair widths as the Icon™ Tall Back

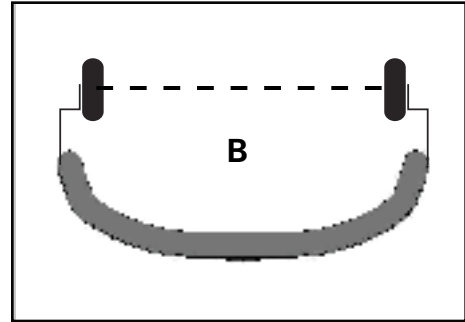
LATERAL SUPPORTS

INSTALLATION OF HEAD AND LATERAL SUPPORTS ON ICON BACK SYSTEMS

VARILITE PAL™ Swing-Away Lateral or Fixed thoracic supports may be installed by using the existing slots and drilling holes in the shell. To install head supports or place lateral supports in alternate locations, the aluminum shell may be drilled without voiding the warranty.



MEASURED
AT THE
WIDEST POINT



Icon Back System Mid & Icon Back System Low (with Lateral Supports)	30 cm	35 cm	38 cm	40 cm	43 cm	45 cm	50 cm	55 cm	60 cm
A. Short & Long brackets Width between pads	19 cm	24 cm	26 cm	29 cm	32 cm	34 cm	39 cm	44 cm	49 cm
B. Offset bracket Width between pads	17 cm	21 cm	24 cm	26 cm	29 cm	32 cm	37 cm	42 cm	47 cm

Icon Back System

SUPPLEMENTAL LATERAL SUPPORTS

Provides additional support where desired when placed inside the shell. Supplemental Lateral Supports help users who lean to one side maintain an upright position.



PSIS BLOCK

(posterior superior iliac spine)

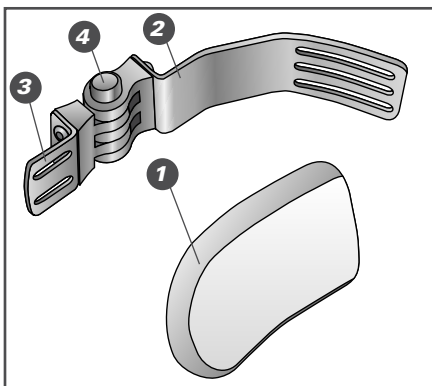
Corrects posterior pelvic tilt by supporting the sacrum at the PSIS level to promote a more neutral pelvis and spinal extension. PSIS Block also supports postures with anterior pelvic tilt and excessive lordosis.



LATERAL SUPPORTS

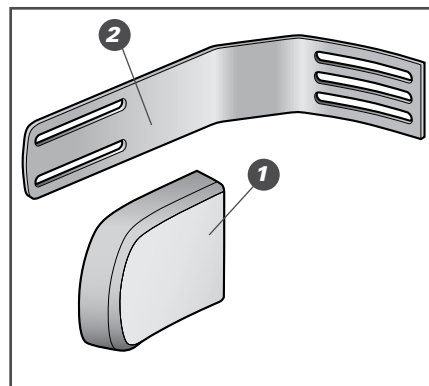
STEP ONE - CHOOSE PAL SWING-AWAY OR FIXED LATERAL SUPPORT

PAL SWING-AWAY LATERAL SUPPORTS



1. Pad
2. Shell Bracket
3. Pad Bracket
4. PAL Swing-Away Hinge

FIXED LATERAL SUPPORT



STEP TWO - SELECT TYPE OF BRACKET

PAL SWING-AWAY LATERAL SUPPORTS

Note: The PAL Swing-Away Hinge is sold separately.

Pad Bracket	Short	Long	Short w/ 2 cm Offset
Horizontal Pad Adjustment:	2.5 cm	5.7 cm	2.5 cm
Fits Icon Back System Size:			Part Number
30 cm	89050	89150	89250
35-38 cm	89010	89110	89210
40-43 cm	89020	89120	89220
45 cm	89030	89130	89230
50-60 cm	89040	89140	89240

FIXED LATERAL SUPPORTS

Pad Bracket	Long
Horizontal Pad Adjustment:	5.7 cm
Fits Icon Back System Size	Part Number
30 cm	89050
35-38 cm	89010
40-43 cm	89020
45 cm	89030
50-60 cm	89040

STEP THREE - SELECT TYPE AND SIZE OF PAD

CURVED PADS

Dimensions W x L	Part Number
7.5 x 10 cm	04317
10 x 13 cm	04319
13 x 15 cm	04321

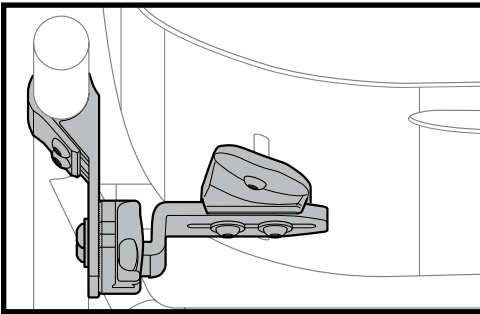
LINEAR PADS

Dimensions W x L	Part Number
7.5 x 10 cm	04307
10 x 13 cm	04309
13 x 15 cm	04311

SEAT DEPTH ADJUSTMENT

Seat depth adjustment varies according to the clinical application and the recline angle of the back. In most cases, Icon Back System hardware allows seat depth to be adjusted so that the back does not take up seat depth in front of the canes. Icon Back System hardware also may be installed anterior of the canes in situations where seat depth is desired for growth. Note: the Icon Back System can be mounted in a rotated position using the VariLock Slide Bracket Kit, ordered separately. This kit will allow the left or right slide brackets to be mounted in the anterior or posterior position, independently of one another.

Basic Installation



CONFIGURATION

Cane Bracket: Posterior

Slide Bracket: Anterior

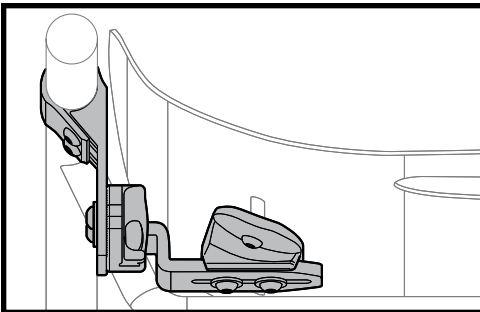
Trunk Support Surface Range:

6.1 cm posterior of the canes to 2.3 cm posterior of the canes

Measured from front of canes to center of the shell.

Cushion thickness ranges from 3 to 7 cm depending on cushion inflation.

Extra Depth Installation



CONFIGURATION

Cane Bracket: Posterior

Slide Bracket: Posterior

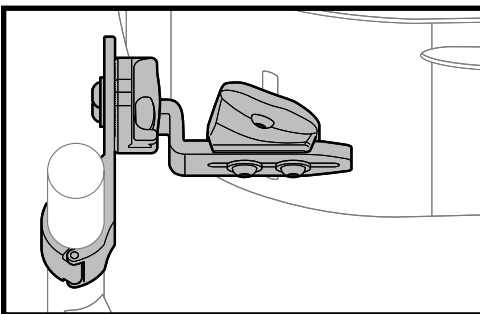
Trunk Support Surface Range:

9.9 cm posterior of the canes to 6.1 cm posterior of the canes

Measured from front of canes to center of the shell.

Cushion thickness ranges from 3 to 7 cm depending on cushion inflation.

Growth Installation



CONFIGURATION

Cane Bracket: Anterior

Slide Bracket: Posterior

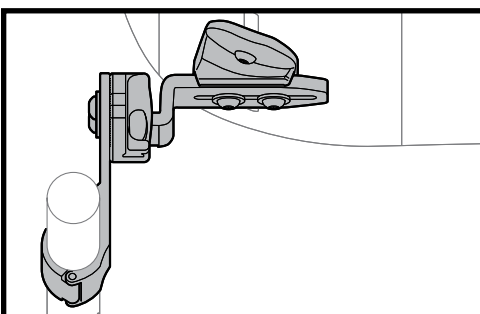
Trunk Support Surface Range:

0.76 cm anterior of the canes to 4.6 cm anterior of the canes

Measured from front of canes to center of the shell.

Cushion thickness ranges from 3 to 7 cm depending on cushion inflation.

Extra Growth Installation



CONFIGURATION

Cane Bracket: Anterior

Slide Bracket: Anterior

Trunk Support Surface Range:

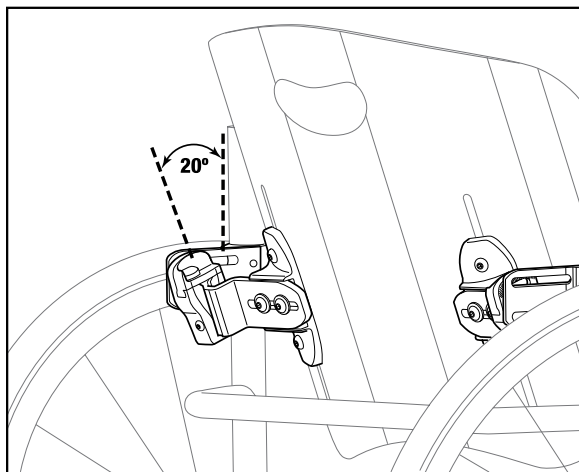
4.6 cm anterior of the canes to 8.4 cm anterior of the canes

Measured from front of canes to center of the shell.

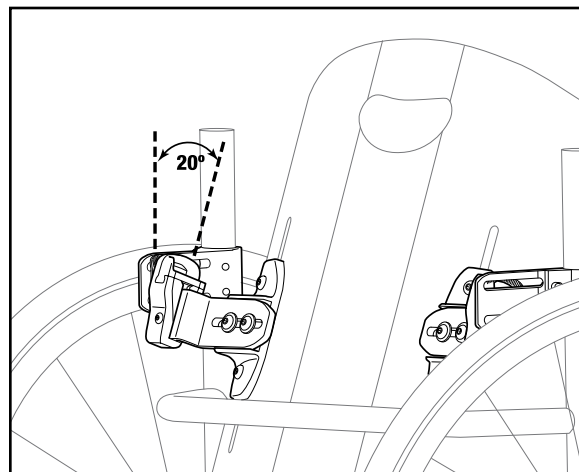
Cushion thickness ranges from 3 to 7 cm depending on cushion inflation.

RECLINE ADJUSTMENT

BACK ANGLE OF RECLINE 20° POSTERIOR



BACK ANGLE OF RECLINE 20° ANTERIOR



INSTALLING ICON BACK SYSTEM HARDWARE ON WHEELCHAIR CANES

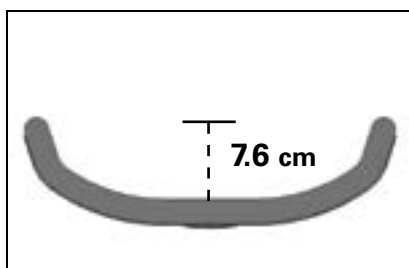
Icon Back System hardware is sized to fit wheelchair canes 25 mm in diameter. Shims are provided for wheelchair canes less than 25 mm in diameter. Use the chart below to properly choose the appropriate sized shim to fit your cane diameter.

FITTING CANE BRACKET SHIMS

Cane Size	Shim Size	Included with Hardware?
22 mm	3.18 mm	Yes
19 mm	6.35 mm	Yes

CONTOUR DEPTH

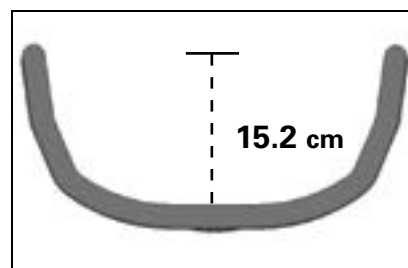
Low, Mid, and Tall Models
Size: 45 cm



Contour depth is calculated with a fully inflated cushion.

Actual depth may vary by up to 4 cm as cushion inflation is adjusted.

Deep Model
Size: 45 cm



ICON BACK SYSTEM WEIGHT (INCLUDES ALL HARDWARE)

Low	Mid	Tall	Deep
Size: 45 cm	Size: 45 cm	Size: 45 cm	Size: 45 cm
1.54 kg	2.3 kg	2.9 kg	3.3 kg

S A F E T Y

Crash-Tested

The ANSI RESNA WC-20 and ISO 16840-4 standards are not considered applicable to individual seating system components. These standards only address complete seating systems consisting of a seating surface and a back support used together in a specific configuration. As such, individual seating systems or back supports are not able to claim full compliance to these standards.

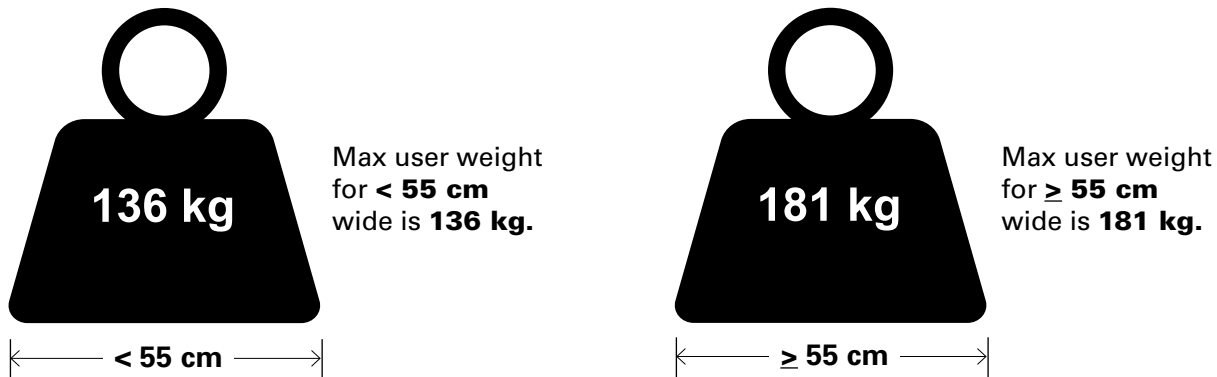
VARILITE product development supports industry safety initiatives and dynamically tested our products for use in motor vehicles by an independent transportation center. An 18" wide Icon Tall back support and an 18" wide by 18" deep Evolution™ seating system was configured onto a surrogate wheelchair frame and successfully crash tested according to the test specified in ANSI RESNA WC-20.

In the case that a provider wishes to configure *VARILITE* products for use during transportation in a motor vehicle, a risk assessment should be performed by competent seating professionals. It is safest to transfer out of your wheelchair and into a manufacturer-installed vehicle seat and use the vehicle's crash-tested occupant restraint system. Failure to use the appropriate equipment for restraint in a vehicle can result in serious injury or death.

For more information about the safe use of wheelchairs in a motor vehicle, please visit www.varilite.com to download the *RideSafe Brochure*.

Resistance to Flammability

Flammability testing has been performed on Icon Back System cushions and covers by an independent laboratory according to the requirements of ISO 7176-16 standard for resistance to ignition of wheelchair upholstered parts. The ISO standard specifies requirements and test methods to assess the resistance of the cover and cushion to ignition by cigarette and match. Icon Back System cushions and covers meet ISO 7176-16 standard.



Maximum User Weight

Maximum user weight for Icon Back Systems less than 55 cm wide is 136kg.

Maximum user weight for Icon Back Systems equal to or greater than 55 cm wide is 181kg.



Cascade Designs, Inc.
4000 1st Avenue South
Seattle, WA 98134
Phone: (800) 827-4548
Toll Free Fax: (800) 363-7739
Fax: (206) 343-5795
www.varilite.com

Authorized EU Representative:
MDSS GmbH
Schiffgraben 41
30175 Hannover, Germany

© 2021 Cascade Designs, Inc. 70-093-1