



PAL™ Swing-Away and Fixed Lateral Supports

Thoracic supports for Icon™ Back Systems

BACK SYSTEMS

VARILITE PAL™ swing-away thoracic supports are designed to complement the Icon™ Back Mid and Tall systems. PAL (Positive Action Lateral) supports allow hinge angle, pad rotation, and horizontal pad adjustments for a precise fit.



PAL™ Swing-Away Lateral Supports

Consists of Shell Bracket, Push Button Mechanism, and Specified Pad Bracket

Pad Bracket	Short	Long	Short w/3/4" (2 cm) Offset
Horizontal Pad Adjustment:	1" (2.5 cm)	2-1/4" (5.7 cm)	1" (2.5 cm)

Fits Icon™ Back Size:

12" (30 cm)	89050	89150	89250
14 - 15" (35 - 38 cm)	89010	89110	89210
16 - 17" (40 - 43 cm)	89020	89120	89220
18" (45 cm)	89030	89130	89230
20 - 24" (50 - 60 cm)	89040	89140	89240

Fixed Lateral Support

Consists of Shell Bracket, and Pad Bracket

	Long
Horizontal Pad Adjustment:	2-1/4" (5.7 cm)

Fits Icon™ Back Size:

12" (30 cm)	88050
14 - 15" (35 - 38 cm)	88010
16 - 17" (40 - 43 cm)	88020
18" (45 cm)	88030
20 - 24" (50 - 60 cm)	88040

Specify type and size of pad for PAL Swing-Away or Fixed Lateral Supports

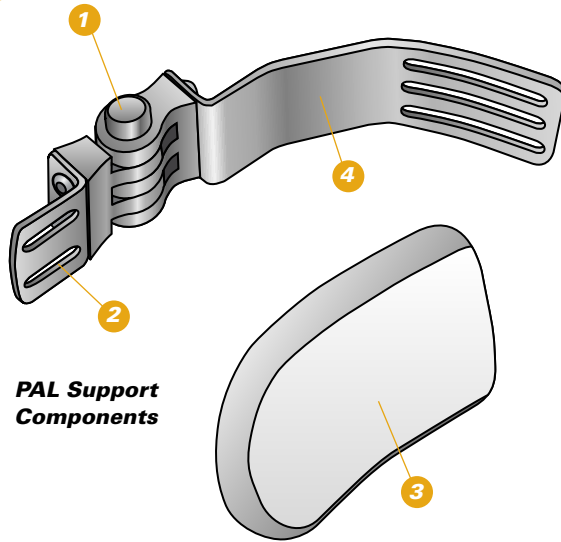
Curved Pads

Dimensions, W x L:	3" x 4" (7.5 x 10 cm)	4" x 5" (10 x 13 cm)	5" x 6" (13 x 15 cm)
	04317	04319	04321

Linear Pads

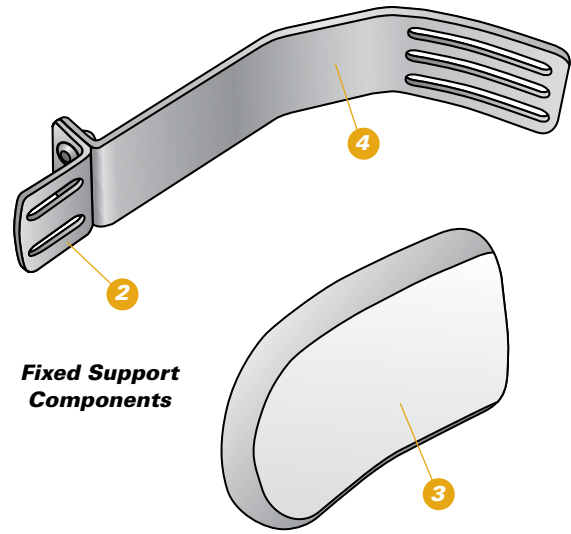
Dimensions, W x L:	3" x 4" (7.5 x 10 cm)	4" x 5" (10 x 13 cm)	5" x 6" (13 x 15 cm)
	04307	04309	04311

PAL™ Swing-Away Supports



PAL Support Components

Fixed lateral supports are available for situations when a swing-away lateral is not required. Fixed lateral supports consist of shell bracket, pad bracket and pad.



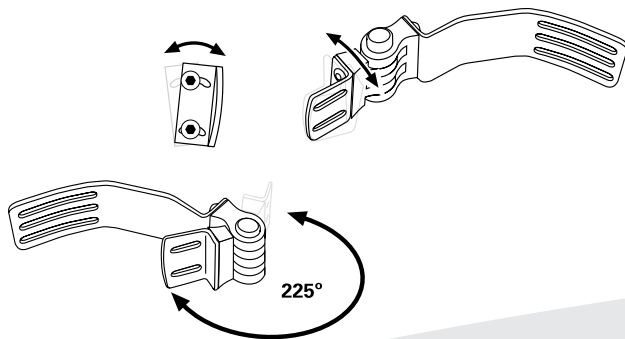
Fixed Support Components

1. Push Button Hinge

Easily activated push button unlocks the PAL swing-away hinge mechanism. PAL positive locking action indicates when the hinge is securely locked. Push button may be mounted in the up or down position. PAL hinge provides up to 225 degrees of swing. Easy hinge angle adjustment for precise fit. Loosen a set screw on the underside of the hinge, rotate the hinge to desired angle, and tighten the screw.

2. Pad Bracket

Constructed of steel for strength, pad bracket attaches to the pad. To adjust vertical pad rotation, loosen the two screws attaching the pad bracket to the hinge, rotate pad bracket +/- 10 degrees, and tighten screws. Pad brackets are available in short, long and offset sizes.



3. Pad

Pads are available in contoured or linear styles, in three sizes. Closed-cell foam with a steel insert. Slots in steel insert allow horizontal pad adjustment. Pad foam is protected with a removable, machine washable cover. For detailed information on cleaning and disinfection of VARILITE lateral supports, see the Instruction Manual. Pads can be modified by a qualified professional.

4. Shell Bracket

Constructed of steel, shell bracket is contoured to mount inside of a VARILITE Icon™ Back Mid or Tall. Low profile bracket is less than 1/8" thick. Shell brackets can be modified by a qualified professional.



Cascade Designs, Inc.
4000 1st Avenue South
Seattle, WA 98134
Phone: (800) 827-4548
Toll Free Fax: (800) 363-7739
Fax: (206) 343-5795
www.varilite.com

Authorized EU Representative:
MDSS GmbH
Schiffgraben 41
30175 Hannover, Germany

