



Back System Hardware

eBack™ and Evolution Back™

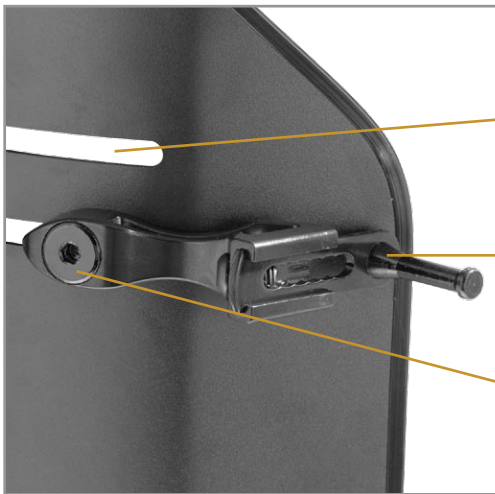
**BACK
SYSTEMS**

The innovative design of VARILITE back system hardware makes installation quicker and easier. Adjustments now can be made with the client in the wheelchair.



Users and caregivers who need to remove the back support system while transferring value the simplicity and ease of use of VARILITE hardware.

Fast Installation
Easy Adjustments
Contemporary Styling



- Permits 1 inch (2.5 cm) of lateral adjustment to allow for client growth
- Offers adjustability at all four attachment points
- Only one fastener per bracket—attaches from the rear of the wheelchair



- Sleek, attractive mounting bracket with durable E-Coat finish
- Shims for canes less than 1 inch (2.5 cm) in diameter snap on—stay in place during cane clamp installation
- Pin Bar adjustments are made from the rear of the wheelchair
- No interference with wheelchair canes during adjustments



- Latch allows easy removal and secure installation
- Attaches to wheelchair cane using a single screw
- All metal hardware



4000 1st Avenue South
Seattle, WA 98134
Phone: (800) 827-4548
Fax: (206) 343-5795
www.varilite.com

Authorized EU Representative:
Cascade Designs, Limited
Dwyer Road, Midleton, Co. Cork
Republic of Ireland

